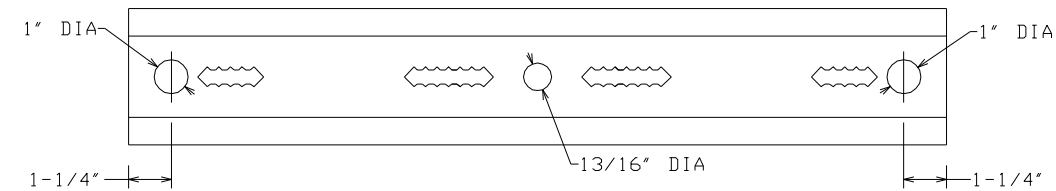
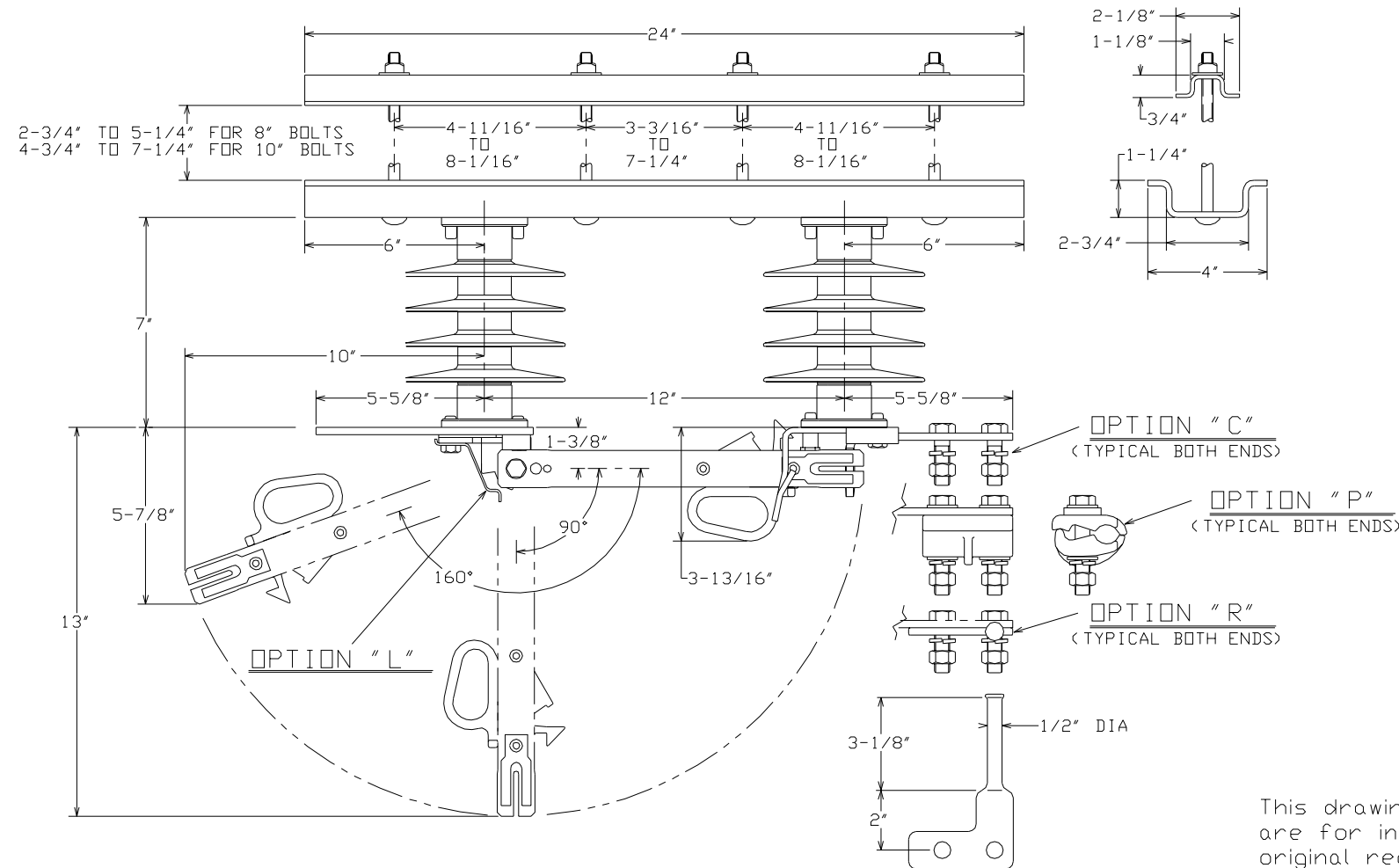


24" BASE "H" FOR 1/2" MOUNTING BOLTS

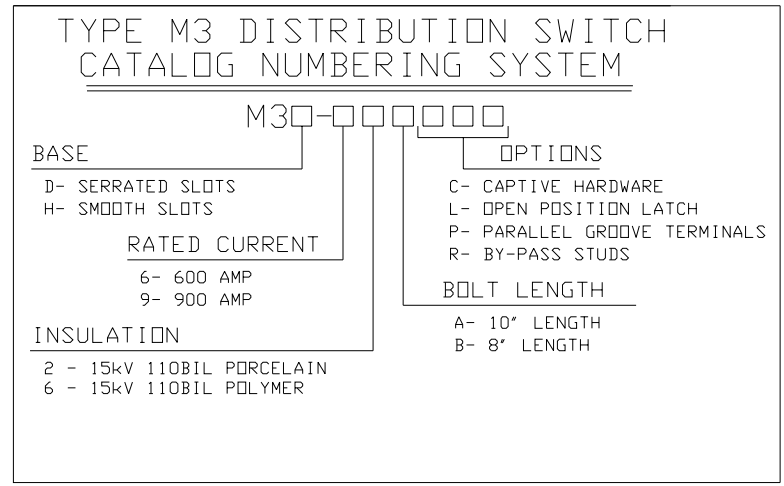


24" BASE "D" FOR 3/8" MOUNTING BOLTS



SWITCH	WEIGHTS (LBS)			SHIPPING CARTON DIMENSIONS (INCHES)		
	SWITCH	CARTON	TOTAL	LENGTH	WIDTH	HEIGHT
15kV, 600 & 900 AMP, PORCELAIN	29	2	31	24-1/2"	6-1/4"	14"
15kV, 600 & 900 AMP, POLYMER	21		23			

WEIGHTS ABOVE ARE FOR 600A, ADDED ONE POUND FOR 900A

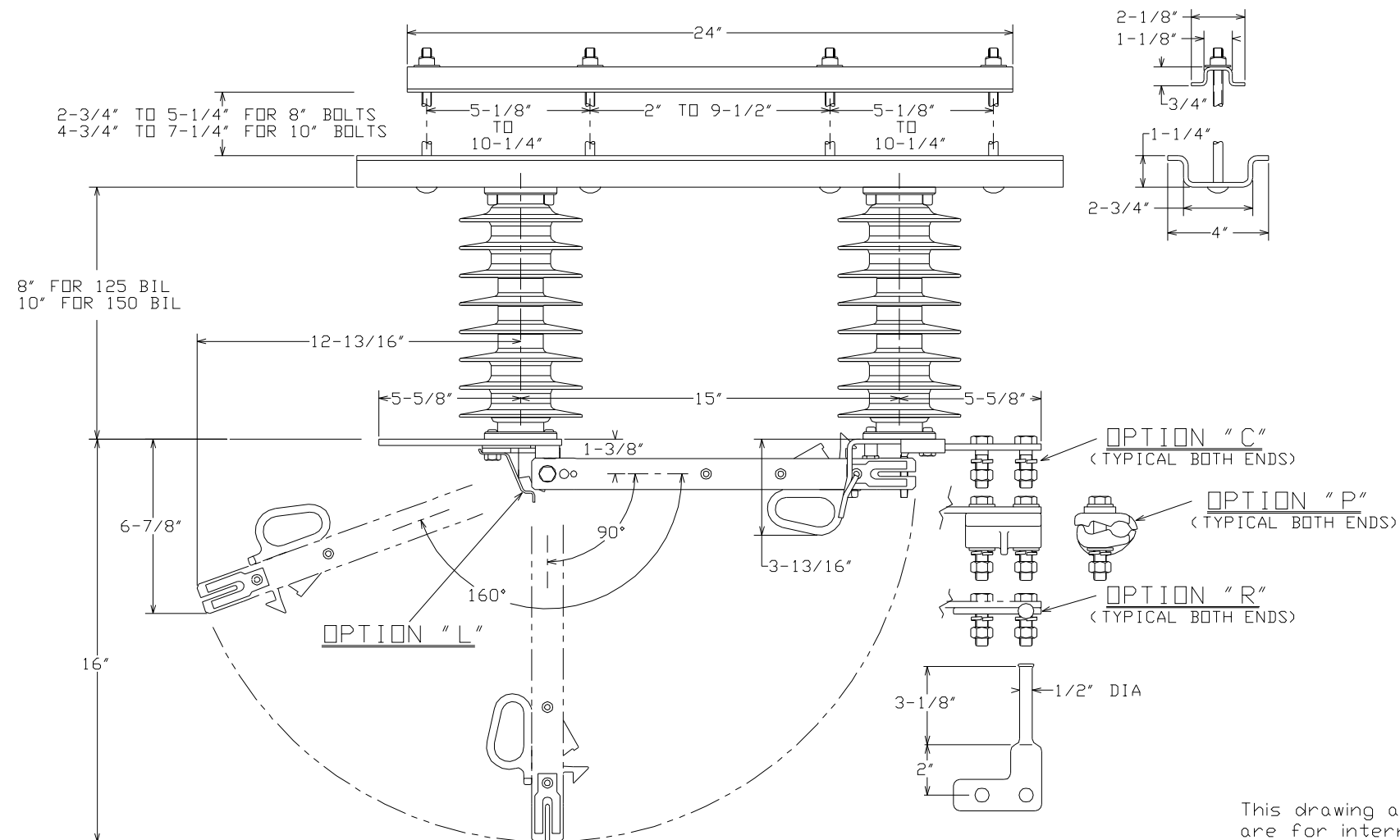
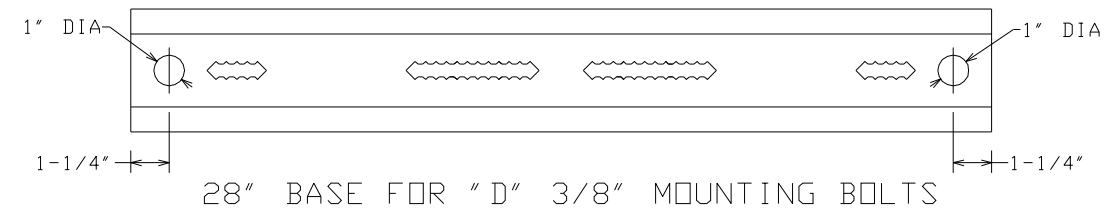
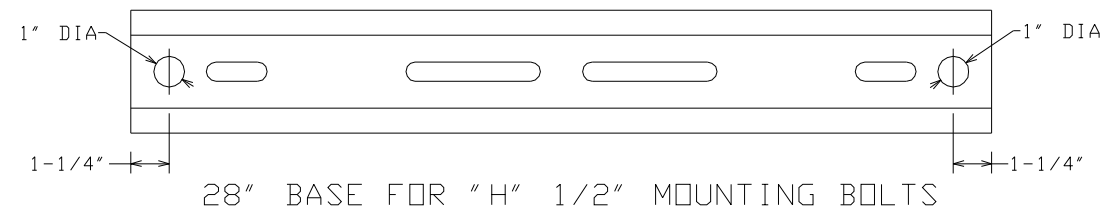


**CONFIDENTIAL**

DISTRIBUTION CLASS  
-15kV, 110 kV BIL, 600 & 900 AMP

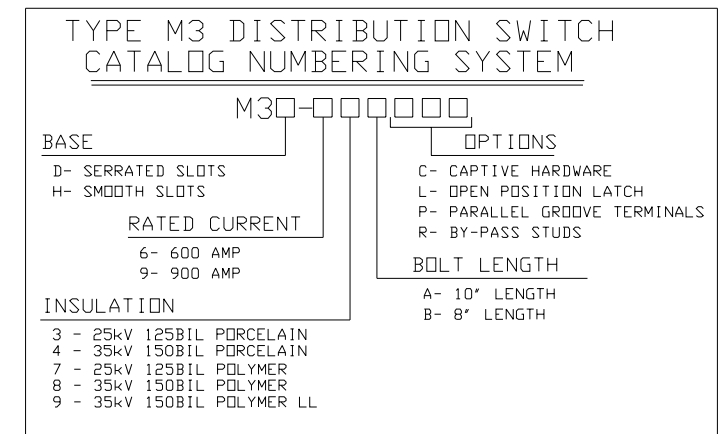
This drawing and its contents are for internal use by original recipient only and are not to be distributed outside original recipient's organization without prior written consent of Hubbell Power Systems, Inc.

CHANCE TOLERANCE CHART EC 71911 DTD 11/09/17	HUBBELL POWER SYSTEMS POWER SYSTEMS, INC.
CONFIDENTIAL: THIS DRAWING AND ITS CONTENTS ARE CONFIDENTIAL AND THE EXCLUSIVE PROPERTY OF HUBBELL POWER SYSTEMS. NO PUBLICATION, DISTRIBUTION OR COPIES MAY BE MADE WITHOUT THE WRITTEN CONSENT OF HUBBELL POWER SYSTEMS. HUBBELL POWER SYSTEMS UNPUBLISHED ALL RIGHTS RESERVED UNDER THE COPYRIGHT LAWS.	TITLE TYPE M3 SWITCH
SIZE D	DWG NO. SA-M3D
DO NOT SCALE THIS DRAWING	CAT / PART / ASSY NO. SEE CHART
DRN BY ROBERTS	DATE 08-13-02
	SHEET 01 OF 02
	REV B



SWITCH	WEIGHTS (LBS)			SHIPPING CARTON DIMENSIONS (INCHES)		
	SWITCH	CARTON	TOTAL	LENGTH	WIDTH	HEIGHT
25kV, 600 & 900 AMP, PORCELAIN	44	3	47	28-3/4"	6-1/4"	16-1/4"
35kV, 600 & 900 AMP, PORCELAIN	49		51			
25kV, 600 & 900 AMP, POLYMER	26		29			
35kV, 600 & 900 AMP, POLYMER	28		31			
35kV, 600 & 900 AMP, POLYMER LL	29		32			

WEIGHTS ABOVE ARE FOR 600A, ADDED ONE POUND FOR 900A



**CONFIDENTIAL**

DISTRIBUTION CLASS

-25kV, 125 KV BIL, 600 & 900 AMP

-35kV, 150 KV BIL, 600 & 900 AMP

This drawing and its contents are for internal use by original recipient only and are not to be distributed outside original recipient's organization without prior written consent of Hubbell Power Systems, Inc.

CHANCE TOLERANCE CHART EC 71911 DTD 11/09/17	HUBBELL POWER SYSTEMS POWER SYSTEMS, INC.
CONFIDENTIAL: THIS DRAWING AND ITS CONTENTS ARE CONFIDENTIAL AND THE EXCLUSIVE PROPERTY OF HUBBELL POWER SYSTEMS. NO PUBLICATION, DISTRIBUTION OR COPIES MAY BE MADE WITHOUT THE WRITTEN CONSENT OF HUBBELL POWER SYSTEMS. HUBBELL POWER SYSTEMS UNPUBLISHED ALL RIGHTS RESERVED UNDER THE COPYRIGHT LAWS.	TITLE TYPE M3 SWITCH
SIZE D	DWG NO. SA-M3D
DO NOT SCALE THIS DRAWING	CAT / PART / ASSY NO. SEE CHART
DRN BY ROBERTS	REV B
DATE 08-13-02	SHEET 02 OF 02